

Saddle Plates for use with Vortex Lower Fixing Plate



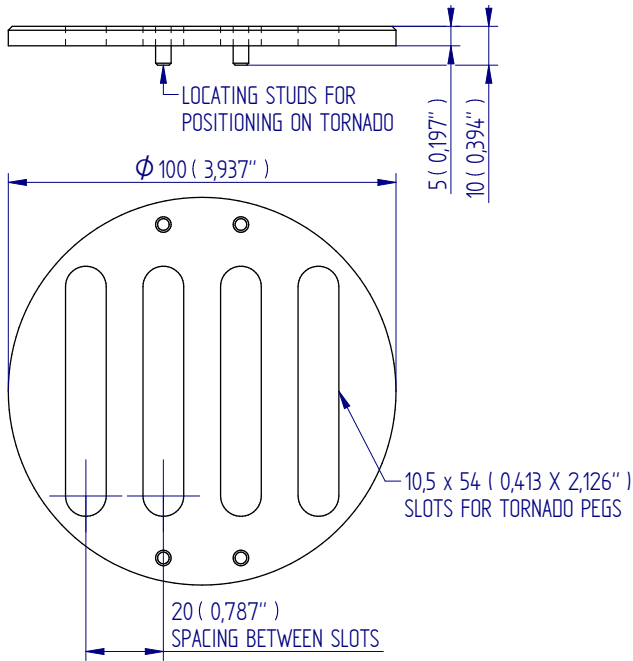
Description

Saddle plates provide a more stable base on which to mount awkwardly shaped samples. Held in place by standard or extended pegs. For Orbis, Tornado or Vortex.

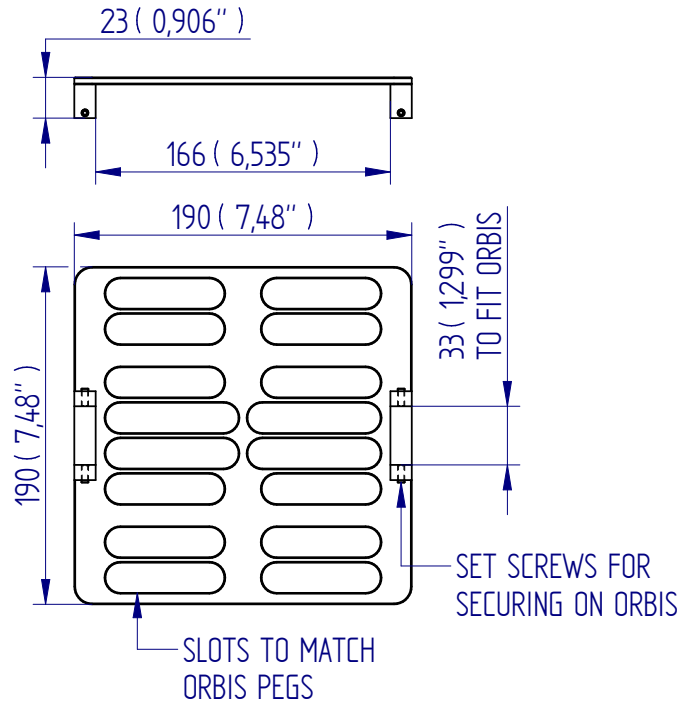
Specifications

| Part No. | |
|----------|-------------------------------|
| 432-424 | For Orbis, Tornado or Vortex |
| 432-407 | For Tornado 1.5 N.m and 3 N.m |

Dimensions mm (inch)



432-407



432-424



FS 58553

DISTRIBUTOR STAMP

DS-1136-01

Mecmesin reserves the right to alter equipment specifications without prior notice. E&OE

Head Office
Mecmesin Limited

w: www.mecmesin.com
e: sales@mecmesin.com

North America
Mecmesin Corporation

w: www.mecmesincorp.com
e: info@mecmesincorp.com

France
Mecmesin France

w: www.mecmesin.fr
e: contact@mecmesin.fr

Asia
Mecmesin Asia Co., Ltd

w: www.mecmesinasia.com
e: sales@mecmesinasia.com

Germany
Mecmesin GmbH

w: www.mecmesin.de
e: info@mecmesin.de

China
Mecmesin (Shanghai) Pte Ltd

w: www.mecmesin.cn
e: sales@mecmesin.cn