

## Flip Cap Accessory



### Description

Designed to easily fit under bottle flip caps when testing their opening force.

### Applications

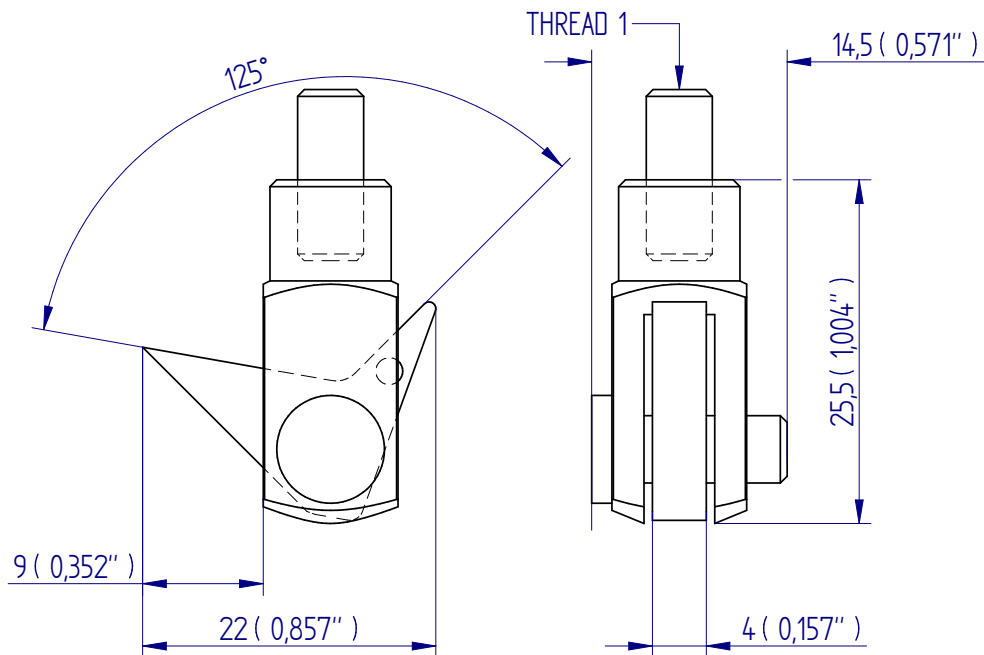
Used for general purpose tensile testing of:

- flip caps used in packaging

### Specifications

Part No.	Load Capacity			Thread 1	Hook Depth		Hook Width		Length		Weight	
	100 N	10 kgf	22 lbf		22 mm	0.857"	4 mm	0.16"	25.5 mm	1.00"	17 g	0.04 lb
432-419	100 N	10 kgf	22 lbf	10-32 UNF	22 mm	0.857"	4 mm	0.16"	25.5 mm	1.00"	17 g	0.04 lb

## Dimensions mm (inch)



FS 58553

DISTRIBUTOR STAMP

DS-1036-01

Mecmesin reserves the right to alter equipment specifications without prior notice. E&OE

### Head Office Mecmesin Limited

w: [www.mecmesin.com](http://www.mecmesin.com)  
e: [sales@mecmesin.com](mailto:sales@mecmesin.com)

### North America Mecmesin Corporation

w: [www.mecmesincorp.com](http://www.mecmesincorp.com)  
e: [info@mecmesincorp.com](mailto:info@mecmesincorp.com)

### France Mecmesin France

w: [www.mecmesin.fr](http://www.mecmesin.fr)  
e: [contact@mecmesin.fr](mailto:contact@mecmesin.fr)

### Asia Mecmesin Asia Co., Ltd

w: [www.mecmesinasia.com](http://www.mecmesinasia.com)  
e: [sales@mecmesinasia.com](mailto:sales@mecmesinasia.com)

### Germany Mecmesin GmbH

w: [www.mecmesin.de](http://www.mecmesin.de)  
e: [info@mecmesin.de](mailto:info@mecmesin.de)

### China Mecmesin (Shanghai) Pte Ltd

w: [www.mecmesin.cn](http://www.mecmesin.cn)  
e: [sales@mecmesin.cn](mailto:sales@mecmesin.cn)